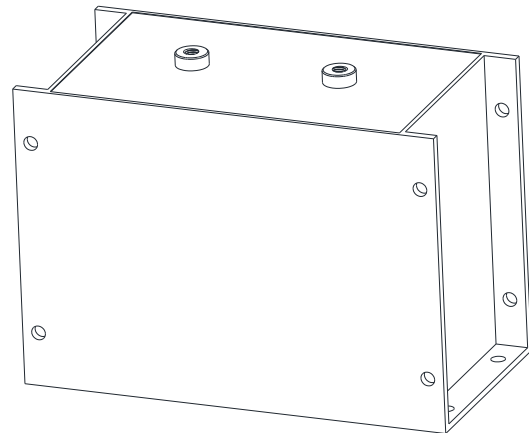
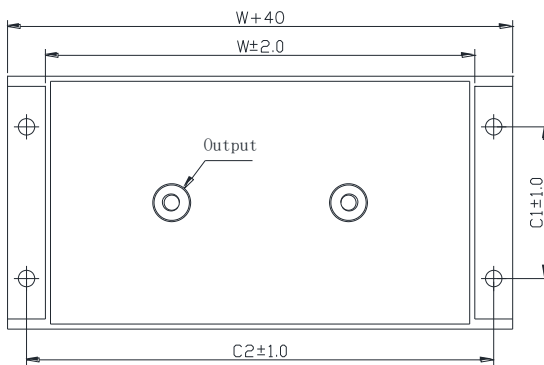
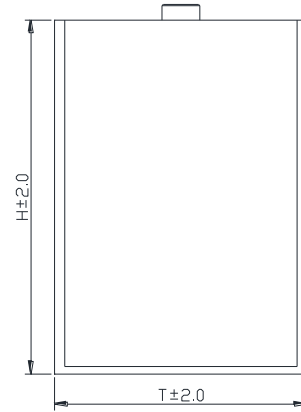
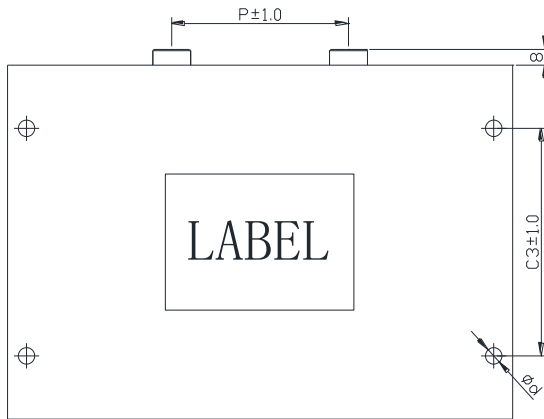


## 金属壳干式直流滤波电容器 (金属外壳, 定制品) DC-Link Capacitor with metal case (Customized products)

### ■ 外形图 Outline Drawing 外形尺寸 Dimensions (mm)



### ■ 特点

- 金属化聚丙烯或安全膜结构
- 铝外壳或不锈钢外壳，环氧树脂灌封
- 低ESR，容许纹波电流大，低ESL
- 干式，有自愈性，寿命长
- 代替电解电容

### ■ 主要用途

- 风能发电，太阳能发电用变频器
- 交通工具
- 焊接设备，电梯，电机驱动

### ■ Features

- Metallized polypropylene or safe film structure
- Aluminum or stainless steel case, filled with epoxy resin
- Low ESR, High ripple current capability, and Low ESL
- Dry type, Self-healing property, Long lifetime
- Can replace electrolytic capacitor

### ■ Typical Application

- Used in inverters of wind power and solar power
- Transportation
- Welders, Elevators, Motor drive system

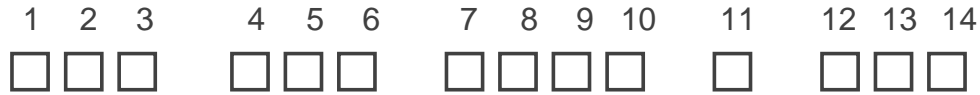
### ■ 技术要求 Specifications

引用标准 Reference Standard	IEC 61071 (GB/T 17702)	
气候类别 Climatic Category	40/85/21	
额定电压 Rated Voltage	500VDC ~ 4000VDC	
容量范围 Capacitance range	400 $\mu$ F ~ 10 000 $\mu$ F	
容量偏差 Capacitance Tolerance	J:±5%, K:±10%	
介质损耗角正切 Dissipation factor tg $\delta$ d	≤0.0002 (50Hz, 20°C)	
有效电流 Effective current	50A ~ 400A (5kHz, 25°C)	
脉冲能力 Withstand strike current ability	dv/dt > 7V/ $\mu$ s	
杂散电感量 Stray inductance	< 1nH 每毫米的引线间距 (per mm of lead spacing )	
绝缘电阻 Insulation Resistance	> 5 000s (20°C, 100V, 1min)	
测试电压 Voltage Proof	极间 Between Terminals: 1.5VRdc (10s)	
	极壳之间 Terminals to Case: 2*Vi+1000VAC (10S, 50Hz), min3000VAC	
阻燃等级 Flame Rating	UL94V-0	
最大电极扭矩 MAX. Torque of terminals	M6: 3.5N.m	M8: 6N.m
最高使用海拔 Max Altitude	2000m	
预期寿命 Lifetime Expectancy	> 100 000 h ( $\theta$ hs=70°C, VR)	
过电压 overvoltage	1.1VR:有负荷时间的30% 30% of on-load-dur	
	1.15VR:30min/day	
	1.2VR:5min/day	
	1.3VR: 1min/day	

## 产品代码说明 Part number system

■ 14 位产品代码说明如下:

The 14 digits part number is formed as follow:



### W L G

第 1~3 位: 型号代码

WLG

第 4~6 位: 标称容量

举例 : 427 =  $42 \times 10^7$  PF = 420 $\mu$ F

108 =  $10 \times 10^8$  PF = 1000 $\mu$ F

第 7~10 位: 直流额定电压

举例: 0700=700 V    0800=800V

1200=1200V    2000=2000V

第 11 位: 容量偏差

J=±5%, K=±10%, M=±20%

第 12 位: 引出端代码

1 = 螺孔式          2 = 螺栓式

第 13~14 位: 内部特征码

Digit 1 to 3: Series code

WLG

Digit 4 to 6: Rated capacitance

For example: 427 =  $42 \times 10^7$  PF = 420 $\mu$ F

108 =  $10 \times 10^8$  PF = 1000 $\mu$ F

Digit 7 to 10: DC rated voltage

0700=700 V    0800=800V

1200=1200V    2000=2000V

Digit 11: Capacitance tolerance

J=±5%, K=±10%, M=±20%

Digit 12: Terminals code

1 = female terminal          2 = male terminal

Digit 13 to 14: Internal use