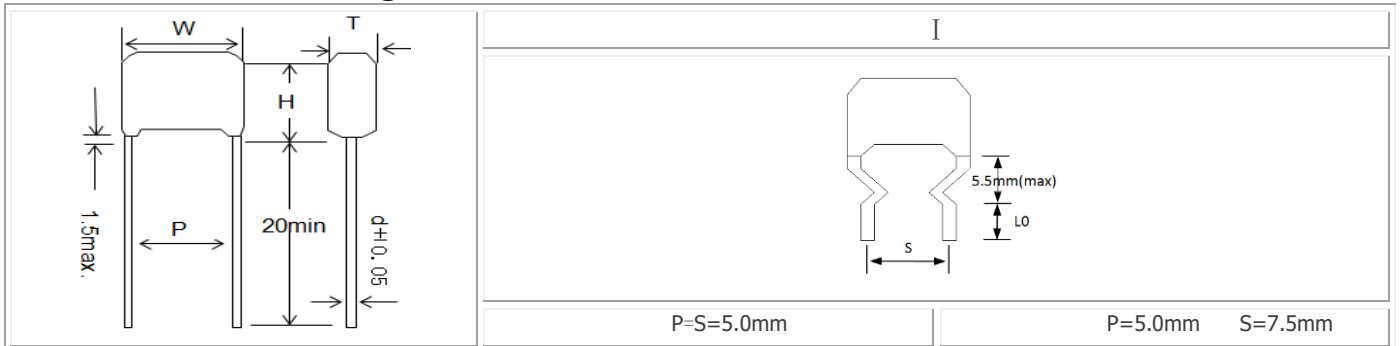


金属化聚酯膜电容器 (浸渍型) Metallized polyester film capacitor(Dipped)

■ 外形图 Outline Drawing



■ 特点

- 金属聚酯膜, 无感式结构
- 阻燃环氧粉末包封(UL94 V-0)
- 自愈性好, 寿命长

■ 主要用途

- 旁路, 隔直, 耦合, 退耦
- 脉冲, 逻辑, 定时, 电路振荡器
- LCD 监视器整流, 汽车直流马达抑制干扰

■ Features

- Metallized polyester film, stacked construction
- Flame retardation epoxy resin powder coated(UL94 V-0)
- Long life due to self-healing effect

■ Typical Applications:

- By-passing, blocking, coupling, decoupling,
- Pulse logic, timing, oscillator circuits.
- Inverter for LCD monitors, automotive DC motor suppression

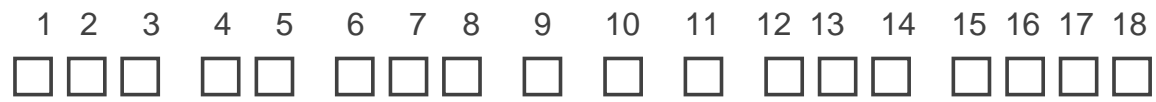
■ 技术要求 Specifications

引用标准 Reference Standard	GB/T 7332 (IEC 60384-2)	
气候类别 Climatic Category	55/105/21	
额定温度 Rated temperature	85°C	
工作温度范围 Operating temperature	-55°C~105°C (+85°C to +105°C: decreasing factor 1.25% per °C for VR(dc))	
额定电压 Rated Voltage	50V, 63V, 100V, 250V	
电容量范围 Capacitance Range	0.010 μ F ~ 1.5 μ F	
电容量偏差 Capacitance Tolerance	$\pm 5\%$ (J), $\pm 10\%$ (K), $\pm 20\%$ (M)	
耐电压 Voltage Proof	1.4UR (5s)	
损耗角正切 Dissipation Factor	$\leq 1.0\%$ (20°C, 1kHz)	
绝缘电阻 Insulation Resistance	UR $\leq 100\text{V}$ $\geq 15\ 000\text{M}\Omega$, CR $\leq 0.33\mu\text{F}$ $\geq 5\ 000\text{s}$, $0.33 < \text{CR} \leq 1\mu\text{F}$ $\geq 1\ 000\text{s}$, CR $> 1\mu\text{F}$ (20°C, 10V, 1min) UR $> 100\text{V}$ $\geq 30\ 000\text{M}\Omega$, CR $\leq 0.33\mu\text{F}$ $\geq 10\ 000\text{s}$, CR $> 0.33\mu\text{F}$ (20°C, 100V, 1min)	
最大脉冲爬升速率 Maximum Pulse Rise Time (dv/dt) 若实际工作电压 U 比额定电压 UR 低, 电容器可工作在更高的 dv/dt 场合。这样 dv/dt 允许值为右表值乘 UR/U。	UR(V)	dv/dt (V/ μ s)
		P=5.0
	50	10
	63	10
	100	10
250	20	

产品代码说明 Part number system

■ 18 位产品代码说明如下:

The 18 digits part number is formed as follow:



W 2 2

第 1~3 位: 型号代码

W22=CL21X

第 4~5 位: 直流额定电压

1H= 50V 1J= 63V 2A=100V
2E=250V

第 6~8 位: 标称容量

举例 : 104 = 10×10^4 PF = 0.1 μ f

第 9 位: 容量偏差

J=±5%, K=±10%, M=±20%

第 10 位: 引线脚距

D=5.0mm

第 11 位: 引线线径

5= CP 0.5mm 6= CP 0.6mm
2= CU 0.5mm 3= CU 0.6mm

第 12 位: 引线加工和包装代码

L= 直脚 K= 引线成型
T= 弹带包装

第 13~18 位: 内部特征码

Digit 1 to 3: Series code

W22=CL21X

Digit 4 to 5: DC rated voltage

1H= 50V 1J= 63V 2A=100V
2E=250V

Digit 6 to 8: Rated capacitance

For example: 104 = 10×10^4 PF = 0.1 μ f

Digit 9: Capacitance tolerance

J=±5%, K=±10%, M=±20%

Digit 10: Pitch

D=5.0mm

Digit 11: Lead Wire diameter

5= CP 0.5mm 6= CP 0.6mm
2= CU 0.5mm 3= CU 0.6mm

Digit 12: Lead form and packaging code

L= straight lead K= Lead kinked
T= ammo-pack

Digit 13 to 18: Internal use

■ 外形尺寸 Dimensions (mm)

50Vdc (30Vac)						
Cn (μ F)	W max	H max	T max	P	d	Part number
0.0010	7.5	7.0	4.0	5.0	0.5	W221H102-D5*****
0.0012	7.5	7.0	4.0	5.0	0.5	W221H122-D5*****
0.0015	7.5	7.0	4.0	5.0	0.5	W221H152-D5*****
0.0018	7.5	7.0	4.0	5.0	0.5	W221H182-D5*****
0.0022	7.5	7.0	4.0	5.0	0.5	W221H222-D5*****
0.0027	7.5	7.0	4.0	5.0	0.5	W221H272-D5*****
0.0033	7.5	7.0	4.0	5.0	0.5	W221H332-D5*****
0.0039	7.5	7.0	4.0	5.0	0.5	W221H392-D5*****
0.0047	7.5	7.0	4.0	5.0	0.5	W221H472-D5*****
0.0056	7.5	7.0	4.0	5.0	0.5	W221H562-D5*****
0.0068	7.5	7.0	4.0	5.0	0.5	W221H682-D5*****
0.0082	7.5	7.0	4.0	5.0	0.5	W221H822-D5*****
0.010	7.5	7.0	4.0	5.0	0.5	W221H103-D5*****
0.012	7.5	7.0	4.0	5.0	0.5	W221H123-D5*****
0.015	7.5	7.0	4.0	5.0	0.5	W221H153-D5*****
0.018	7.5	7.0	4.0	5.0	0.5	W221H183-D5*****
0.022	7.5	7.0	4.0	5.0	0.5	W221H223-D5*****
0.027	7.5	7.0	4.0	5.0	0.5	W221H273-D5*****
0.033	7.5	7.0	4.0	5.0	0.5	W221H333-D5*****
0.039	7.5	7.0	4.0	5.0	0.5	W221H393-D5*****
0.047	7.5	7.0	4.0	5.0	0.5	W221H473-D5*****
0.056	7.5	7.0	4.0	5.0	0.5	W221H563-D5*****
0.068	7.5	7.0	4.0	5.0	0.5	W221H683-D5*****
0.082	7.5	7.0	4.0	5.0	0.5	W221H823-D5*****
0.10	7.5	7.5	4.5	5.0	0.5	W221H104-D5*****
0.12	7.5	7.5	4.5	5.0	0.5	W221H124-D5*****
0.15	7.5	7.5	4.5	5.0	0.5	W221H154-D5*****
0.18	7.5	7.5	4.5	5.0	0.5	W221H184-D5*****
0.22	7.5	7.5	4.5	5.0	0.5	W221H224-D5*****
0.27	7.5	8.5	4.5	5.0	0.5	W221H274-D5*****
0.33	7.5	9.0	5.0	5.0	0.5	W221H334-D5*****
0.39	7.5	9.5	5.0	5.0	0.5	W221H394-D5*****
0.47	7.5	9.5	5.5	5.0	0.5	W221H474-D5*****
0.56	7.5	10.5	6.0	5.0	0.5	W221H564-D5*****
0.68	7.5	10.5	6.5	5.0	0.5	W221H684-D5*****
0.82	7.5	12.0	7.0	5.0	0.5	W221H824-D5*****
1.0	7.5	12.0	6.5	5.0	0.5	W221H105-D5*****
1.5	7.5	13.0	8.0	5.0	0.5	W221H155-D5*****

63Vdc (40Vac)						
Cn (μ F)	W max	H max	T max	P	d	Part number
0.0010	7.5	7.0	4.0	5.0	0.5	W221J102-D5*****
0.0012	7.5	7.0	4.0	5.0	0.5	W221J122-D5*****
0.0015	7.5	7.0	4.0	5.0	0.5	W221J152-D5*****
0.0018	7.5	7.0	4.0	5.0	0.5	W221J182-D5*****
0.0022	7.5	7.0	4.0	5.0	0.5	W221J222-D5*****
0.0027	7.5	7.0	4.0	5.0	0.5	W221J272-D5*****
0.0033	7.5	7.0	4.0	5.0	0.5	W221J332-D5*****
0.0039	7.5	7.0	4.0	5.0	0.5	W221J392-D5*****
0.0047	7.5	7.0	4.0	5.0	0.5	W221J472-D5*****
0.0056	7.5	7.0	4.0	5.0	0.5	W221J562-D5*****
0.0068	7.5	7.0	4.0	5.0	0.5	W221J682-D5*****
0.0082	7.5	7.0	4.0	5.0	0.5	W221J822-D5*****
0.010	7.5	7.0	4.0	5.0	0.5	W221J103-D5*****
0.012	7.5	7.0	4.0	5.0	0.5	W221J123-D5*****
0.015	7.5	7.0	4.0	5.0	0.5	W221J153-D5*****
0.018	7.5	7.0	4.0	5.0	0.5	W221J183-D5*****
0.022	7.5	7.0	4.0	5.0	0.5	W221J223-D5*****
0.027	7.5	7.0	4.0	5.0	0.5	W221J273-D5*****
0.033	7.5	7.0	4.0	5.0	0.5	W221J333-D5*****
0.039	7.5	7.0	4.0	5.0	0.5	W221J393-D5*****
0.047	7.5	7.0	4.0	5.0	0.5	W221J473-D5*****
0.056	7.5	7.0	4.0	5.0	0.5	W221J563-D5*****
0.068	7.5	7.0	4.0	5.0	0.5	W221J683-D5*****
0.082	7.5	7.0	4.0	5.0	0.5	W221J823-D5*****
0.10	7.5	7.5	4.5	5.0	0.5	W221J104-D5*****
0.12	7.5	7.5	4.5	5.0	0.5	W221J124-D5*****
0.15	7.5	7.5	4.5	5.0	0.5	W221J154-D5*****
0.18	7.5	7.5	4.5	5.0	0.5	W221J184-D5*****
0.22	7.5	7.5	4.5	5.0	0.5	W221J224-D5*****
0.27	7.5	8.5	4.5	5.0	0.5	W221J274-D5*****
0.33	7.5	9.0	5.0	5.0	0.5	W221J334-D5*****
0.39	7.5	9.5	5.0	5.0	0.5	W221J394-D5*****
0.47	7.5	9.5	5.5	5.0	0.5	W221J474-D5*****
0.56	7.5	10.5	6.0	5.0	0.5	W221J564-D5*****
0.68	7.5	10.5	6.5	5.0	0.5	W221J684-D5*****
0.82	7.5	12.0	7.0	5.0	0.5	W221J824-D5*****
1.0	7.5	12.0	6.5	5.0	0.5	W221J105-D5*****
1.5	7.5	13.0	8.0	5.0	0.5	W221J155-D5*****

备注: 1. "-" 表示容量偏差。"- " = capacitance tolerance code, M=±20%,K=±10%,J=±5%

2. 第 12 位表示引线加工和包装代码, L= 直脚 straight lead K= 引线成型 Lead kinked T= 弹带包装 ammo-pc

■ 外形尺寸 Dimensions (mm)

100Vdc (63Vac)@						
Cn (μ F)	W max	H max	T max	P	d	Part number
0.0010	7.5	7.0	4.0	5.0	0.5	W222A102-D5*****
0.0012	7.5	7.0	4.0	5.0	0.5	W222A122-D5*****
0.0015	7.5	7.0	4.0	5.0	0.5	W222A152-D5*****
0.0018	7.5	7.0	4.0	5.0	0.5	W222A182-D5*****
0.0022	7.5	7.0	4.0	5.0	0.5	W222A222-D5*****
0.0027	7.5	7.0	4.0	5.0	0.5	W222A272-D5*****
0.0033	7.5	7.0	4.0	5.0	0.5	W222A332-D5*****
0.0039	7.5	7.0	4.0	5.0	0.5	W222A392-D5*****
0.0047	7.5	7.0	4.0	5.0	0.5	W222A472-D5*****
0.0056	7.5	7.0	4.0	5.0	0.5	W222A562-D5*****
0.0068	7.5	7.0	4.0	5.0	0.5	W222A682-D5*****
0.0082	7.5	7.0	4.0	5.0	0.5	W222A822-D5*****
0.010	7.5	7.0	4.0	5.0	0.5	W222A103-D5*****
0.012	7.5	7.0	4.0	5.0	0.5	W222A123-D5*****
0.015	7.5	7.0	4.0	5.0	0.5	W222A153-D5*****
0.018	7.5	7.0	4.0	5.0	0.5	W222A183-D5*****
0.022	7.5	7.0	4.0	5.0	0.5	W222A223-D5*****
0.027	7.5	7.0	4.0	5.0	0.5	W222A273-D5*****
0.033	7.5	7.0	4.0	5.0	0.5	W222A333-D5*****
0.039	7.5	7.0	4.0	5.0	0.5	W222A393-D5*****
0.047	7.5	7.0	4.0	5.0	0.5	W222A473-D5*****
0.056	7.5	7.0	4.0	5.0	0.5	W222A563-D5*****
0.068	7.5	7.0	4.0	5.0	0.5	W222A683-D5*****
0.082	7.5	7.0	4.0	5.0	0.5	W222A823-D5*****
0.10	7.5	7.5	4.5	5.0	0.5	W222A104-D5*****
0.12	7.5	7.5	4.5	5.0	0.5	W222A124-D5*****
0.15	7.5	7.5	4.5	5.0	0.5	W222A154-D5*****
0.18	7.5	7.5	4.5	5.0	0.5	W222A184-D5*****
0.22	7.5	7.5	4.5	5.0	0.5	W222A224-D5*****
0.27	7.5	8.5	4.5	5.0	0.5	W222A274-D5*****
0.33	7.5	9.0	5.0	5.0	0.5	W222A334-D5*****
0.39	7.5	9.5	5.0	5.0	0.5	W222A394-D5*****
0.47	7.5	9.5	5.5	5.0	0.5	W222A474-D5*****
0.56	7.5	10.5	6.0	5.0	0.5	W222A564-D5*****
0.68	7.5	10.5	6.5	5.0	0.5	W222A684-D5*****
0.82	7.5	12.0	7.0	5.0	0.5	W222A824-D5*****
1.0	7.5	12.0	6.5	5.0	0.5	W222A105-D5*****
1.5	7.5	13.0	8.0	5.0	0.5	W222A155-D5*****

250Vdc (140Vac)						
Cn (μ F)	W max	H max	T max	P	d	Part number
0.0010	7.5	7.0	4.0	5.0	0.5	W222E102-D5*****
0.0012	7.5	7.0	4.0	5.0	0.5	W222E122-D5*****
0.0015	7.5	7.0	4.0	5.0	0.5	W222E152-D5*****
0.0018	7.5	7.0	4.0	5.0	0.5	W222E182-D5*****
0.0022	7.5	7.0	4.0	5.0	0.5	W222E222-D5*****
0.0027	7.5	7.0	4.0	5.0	0.5	W222E272-D5*****
0.0033	7.5	7.0	4.0	5.0	0.5	W222E332-D5*****
0.0039	7.5	7.0	4.0	5.0	0.5	W222E392-D5*****
0.0047	7.5	7.0	4.0	5.0	0.5	W222E472-D5*****
0.0056	7.5	7.0	4.0	5.0	0.5	W222E562-D5*****
0.0068	7.5	7.0	4.0	5.0	0.5	W222E682-D5*****
0.0082	7.5	7.0	4.0	5.0	0.5	W222E822-D5*****
0.010	7.5	7.0	4.0	5.0	0.5	W222E103-D5*****
0.012	7.5	7.0	4.0	5.0	0.5	W222E123-D5*****
0.015	7.5	7.0	4.0	5.0	0.5	W222E153-D5*****
0.018	7.5	7.0	4.0	5.0	0.5	W222E183-D5*****
0.022	7.5	7.0	4.0	5.0	0.5	W222E223-D5*****
0.027	7.5	7.0	4.0	5.0	0.5	W222E273-D5*****
0.033	7.5	7.0	4.0	5.0	0.5	W222E333-D5*****
0.039	7.5	7.0	4.0	5.0	0.5	W222E393-D5*****
0.047	7.5	7.0	4.0	5.0	0.5	W222E473-D5*****
0.056	7.5	7.0	4.5	5.0	0.5	W222E563-D5*****
0.068	7.5	8.0	4.5	5.0	0.5	W222E683-D5*****
0.082	7.5	8.5	4.5	5.0	0.5	W222E823-D5*****
0.10	7.5	8.5	4.5	5.0	0.5	W222E104-D5*****
0.12	7.5	9.0	5.5	5.0	0.5	W222E124-D5*****
0.15	7.5	9.5	6.0	5.0	0.5	W222E154-D5*****
0.18	7.5	10.5	6.5	5.0	0.5	W222E184-D5*****
0.22	7.5	11.5	7.0	5.0	0.5	W222E224-D5*****
0.27	7.5	12.0	7.5	5.0	0.5	W222E274-D5*****
0.33	7.5	13.0	8.5	5.0	0.5	W222E334-D5*****

备注: 1. "-" 表示容量偏差。"- " = capacitance tolerance code, M=±20%,K=±10%,J=±5%

2. 第 12 位表示引线加工和包装代码, L= 直脚 straight lead K= 引线成型 Lead kinked T= 弹带包装 ammo-pack

3. "@ " 不适用跨线电路应用 Not suitable for across-the-line applications.